

Greg

Executive seating or conference chair. The slim design incorporates lumbar support built into the frame and roll-off seat edge to enhance comfort. Polished aluminum arms protect surfaces via the urethane pad.

Offered in both high and mid-back configurations.



Range Information

- Upholstery frame: molded plywood
- Seat/Back: high density polydacron
- Arms:
- UR: molded, semi-rigid black urethane, steel reinforced. Standard.
- AL: cast, polished aluminum with molded semi-rigid black urethane arm pad inset. Upcharge
- Base:
- 2 base styles and 2 control mechanisms offered.
- See Executive Base and Control Options section for complete descriptions.
- Casters: black, 2 3/16" diameter, dual wheel
- Gas lift standard



**10/855 UR
BP6**

Mid Back Tilt
Swivel

1132 1176 1230 1266 1328 1372 1452 1540 1654 1760 1188 1684 1988 2916 1.75 32 -



**10/857 UR
BP6**

High Back Tilt
Swivel

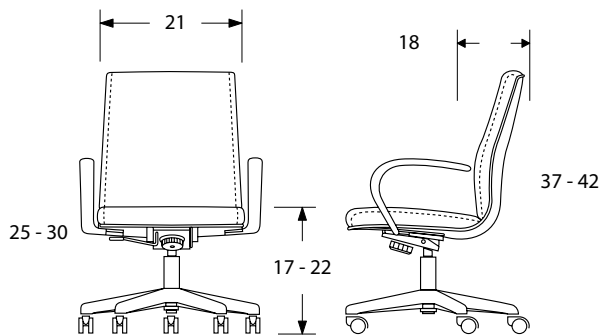
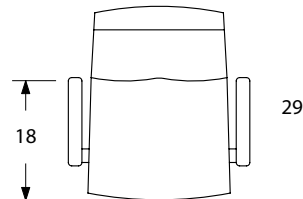
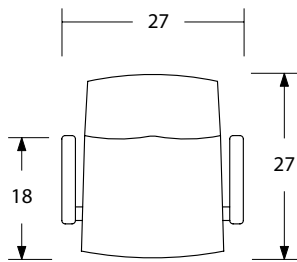
1266 1316 1376 1416 1486 1536 1626 1726 1856 1976 1330 1888 2230 3274 2.00 36 -

OPTIONS

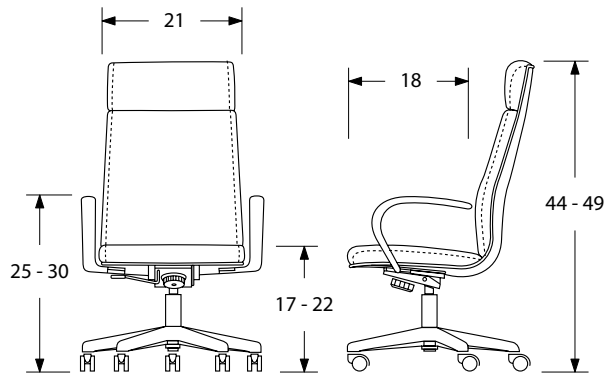
- Contrasting welt
- Multi-fabric application
- Custom matched wood finish.
- See Wood Finishes section.

TO ORDER

- 1 Specify Item Number
- 2 Specify Arm Selection
UR Standard
AL \$ 124.00 List
- 3 Specify Base Selection
BP Standard
MN \$ 100.00 List
#7 Knee Tilt \$ 30.00 List
- 5 Specify Base Finish Number, If Applicable
- 6 Specify Upholstery Name,
Color Number And Name
- 7 Specify Options



10/855



10/857